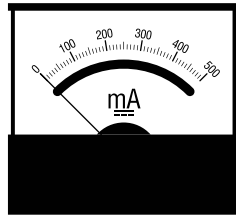


SW-AO1i *Wireless base station with analogue output*



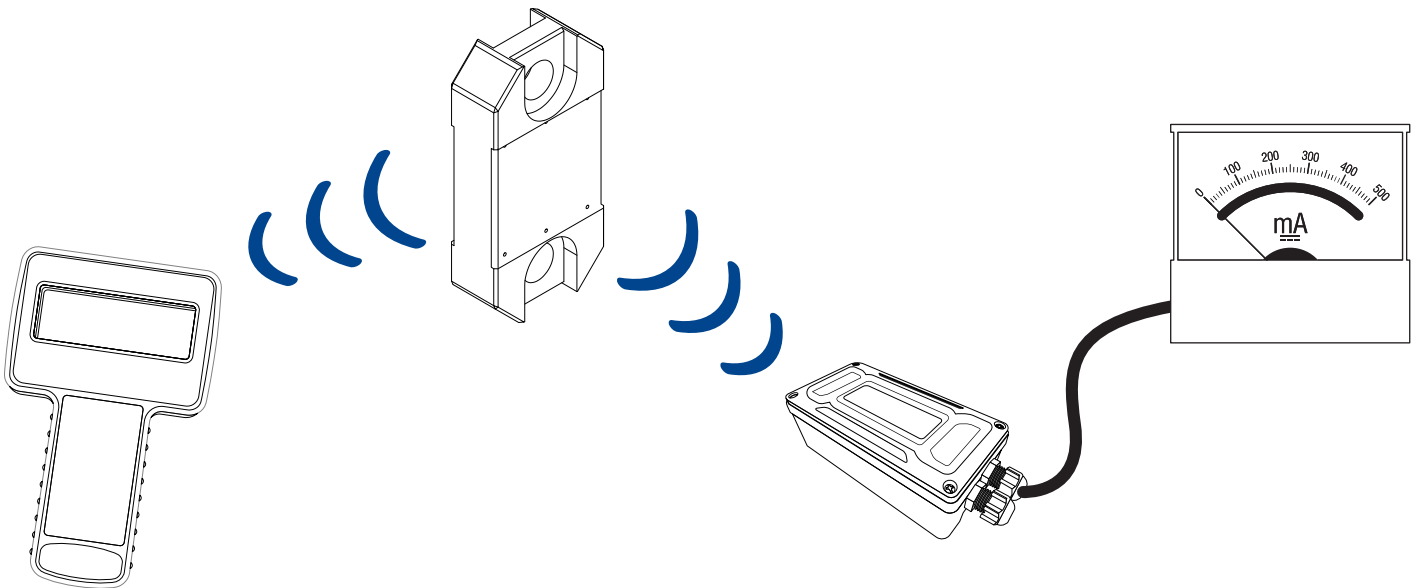
The SW-AO1i provides a configurable analogue output for any single Straightpoint wireless load cell and is ideal for integration to a PC, PLC or other data acquisition system.

Housed in a IP65/NEMA4X enclosure, the output can be selected from pre-calibrated voltage and current ranges of 0-5vdc, +-5vdc, 0-10vdc, +-10vdc, 0-20mA, 4-20mA.

Features and benefits:

- Full option of analogue outputs such as 0-10v & 4-20mA
- Output can be changed in the field to suit different devices
- Wireless connection to load cell
- Fully configurable
- Wide range for power supply input
- IP65/NEMA 4 Enclosure

Solution



Parameter	Minimum	Typical	Maximum	Units
Licence		Licence exempt		
Modulation method		MS (QPSK)		
Radio type		Transceiver (2 way)		
Data rate		250		K bits/sec
Radio frequency	2.4000		2.4835	GHz
Power		1		mw
Range			700 (2300)	Metres (feet)
Channels (DSSS)		16		



making the lifting industry a safer place